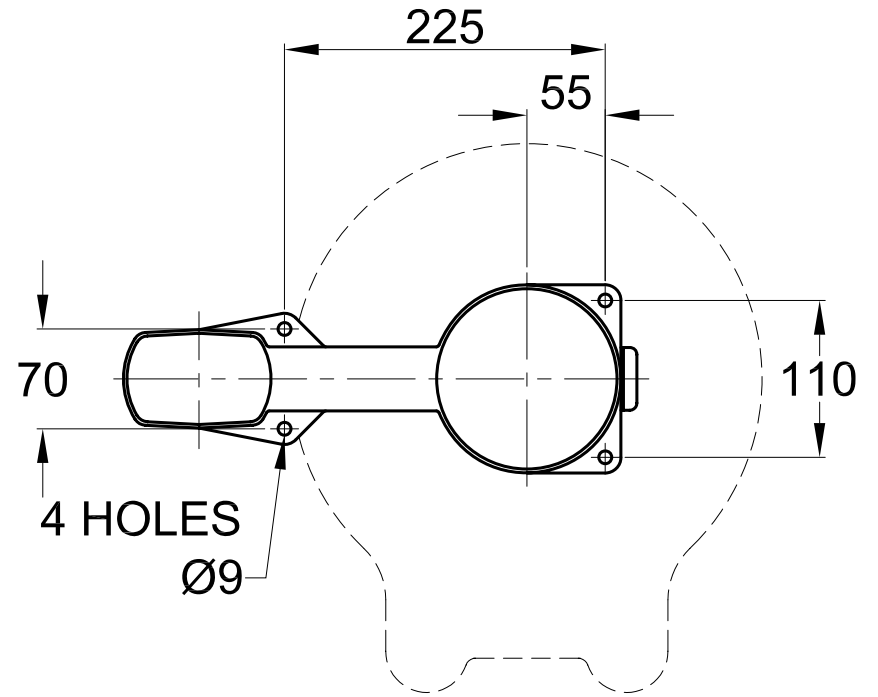
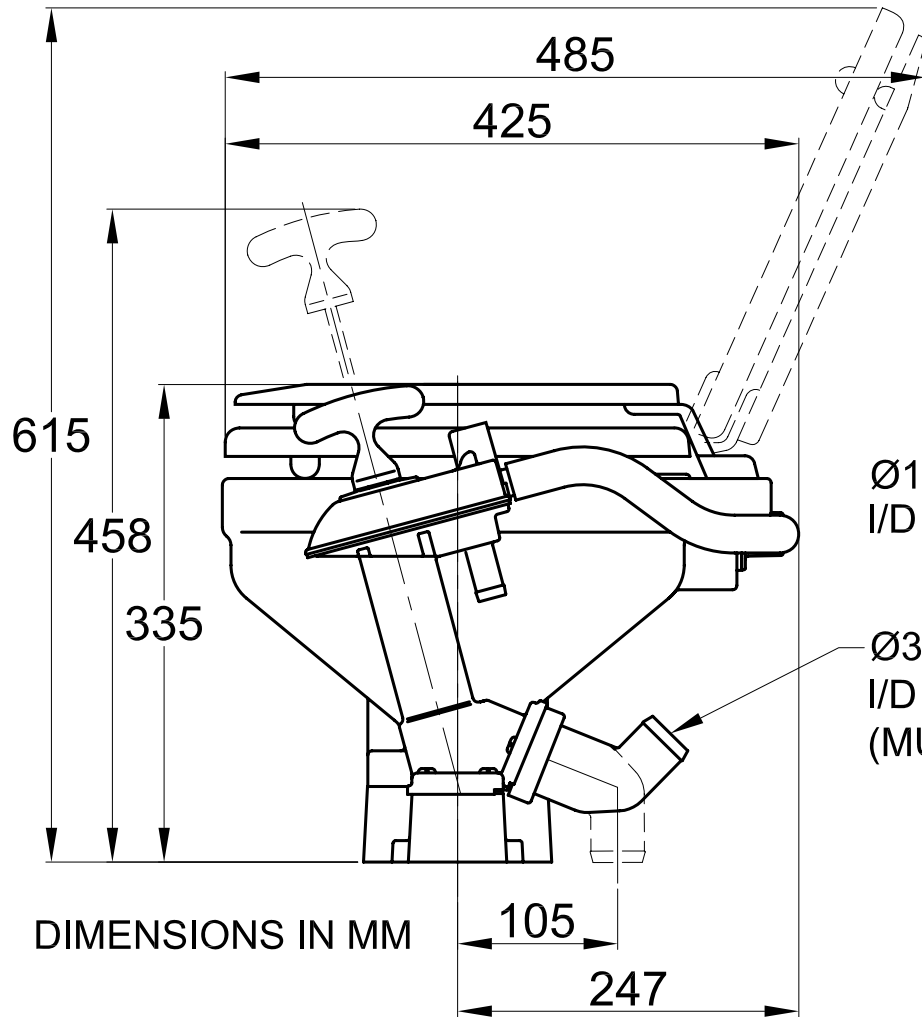


29090 COMPACT

DO NOT SCALE



BASE FIXING HOLES

Ø19mm (¾")
I/D HOSE INLET

Ø38mm (1.5")
I/D HOSE OUTLET
(MULTI ANGLE)

